

8110 Electric trimmer

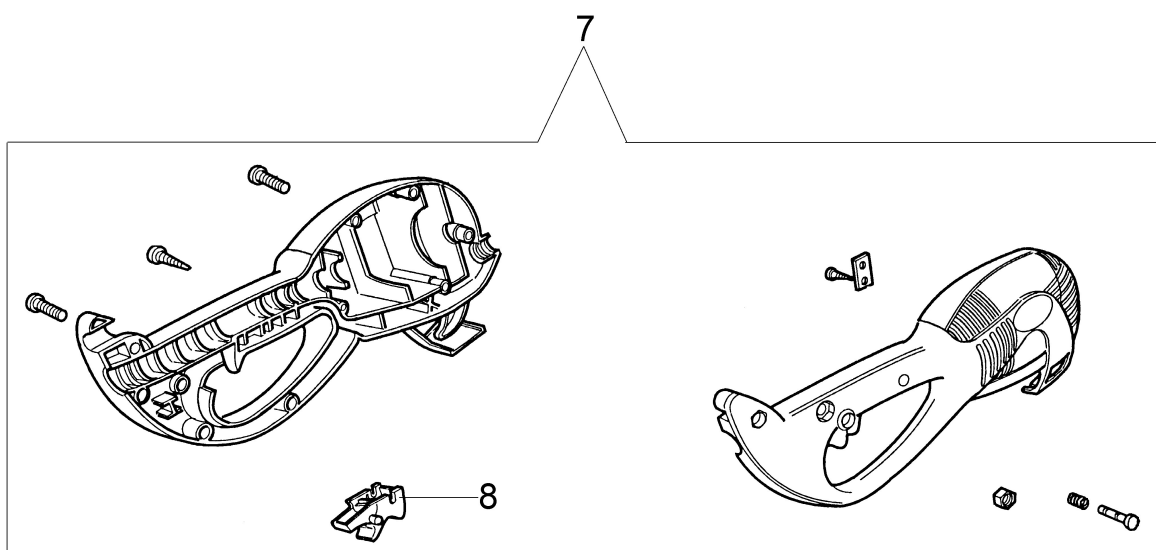
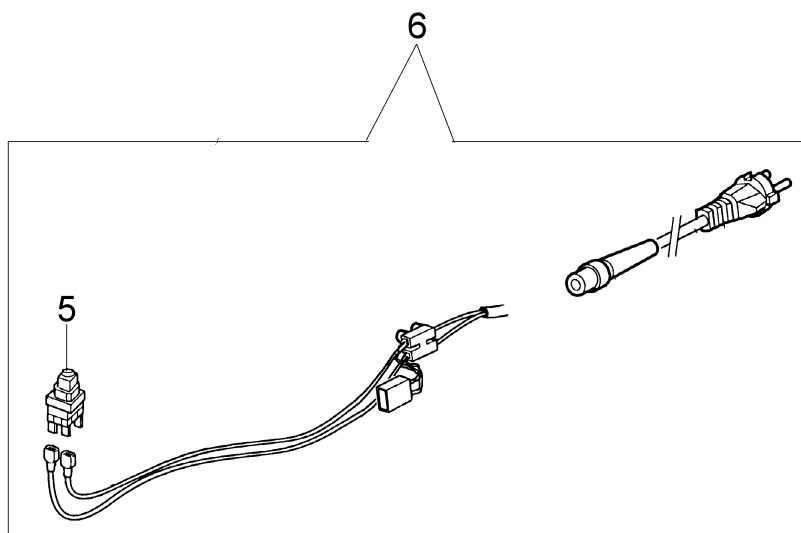
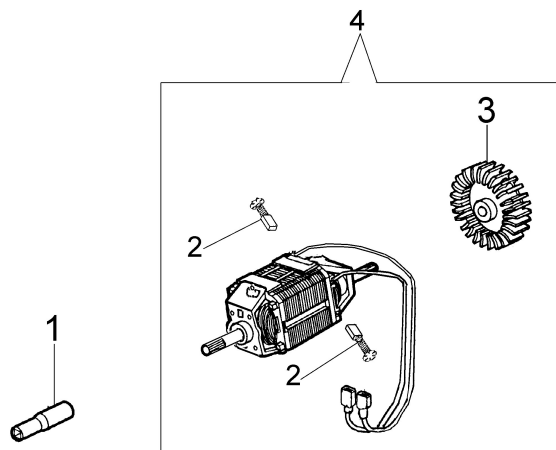


Документы

Motor (SN 311xxxxxxx)

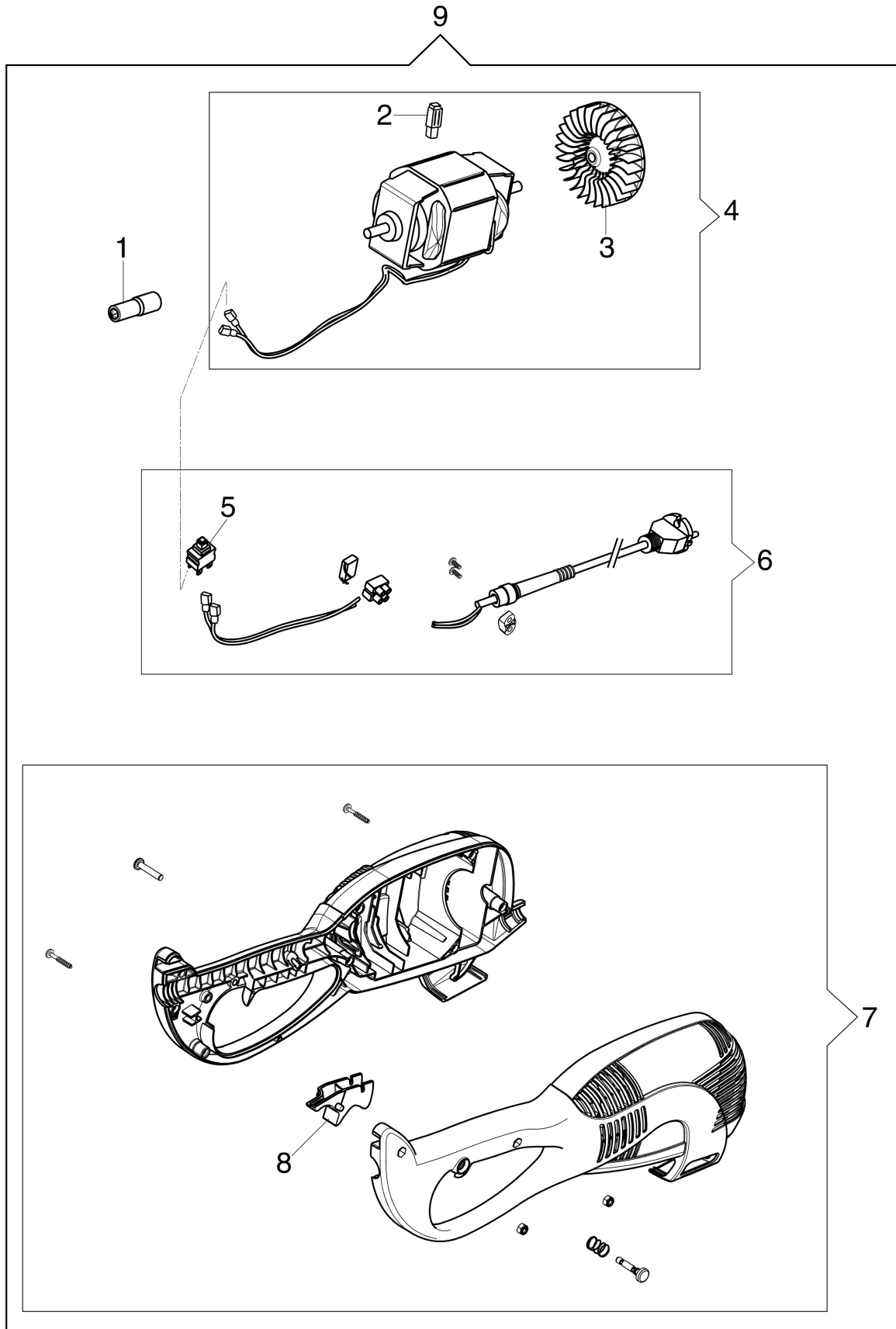
Motor (From SN 316xxxxxxx)

Transmission



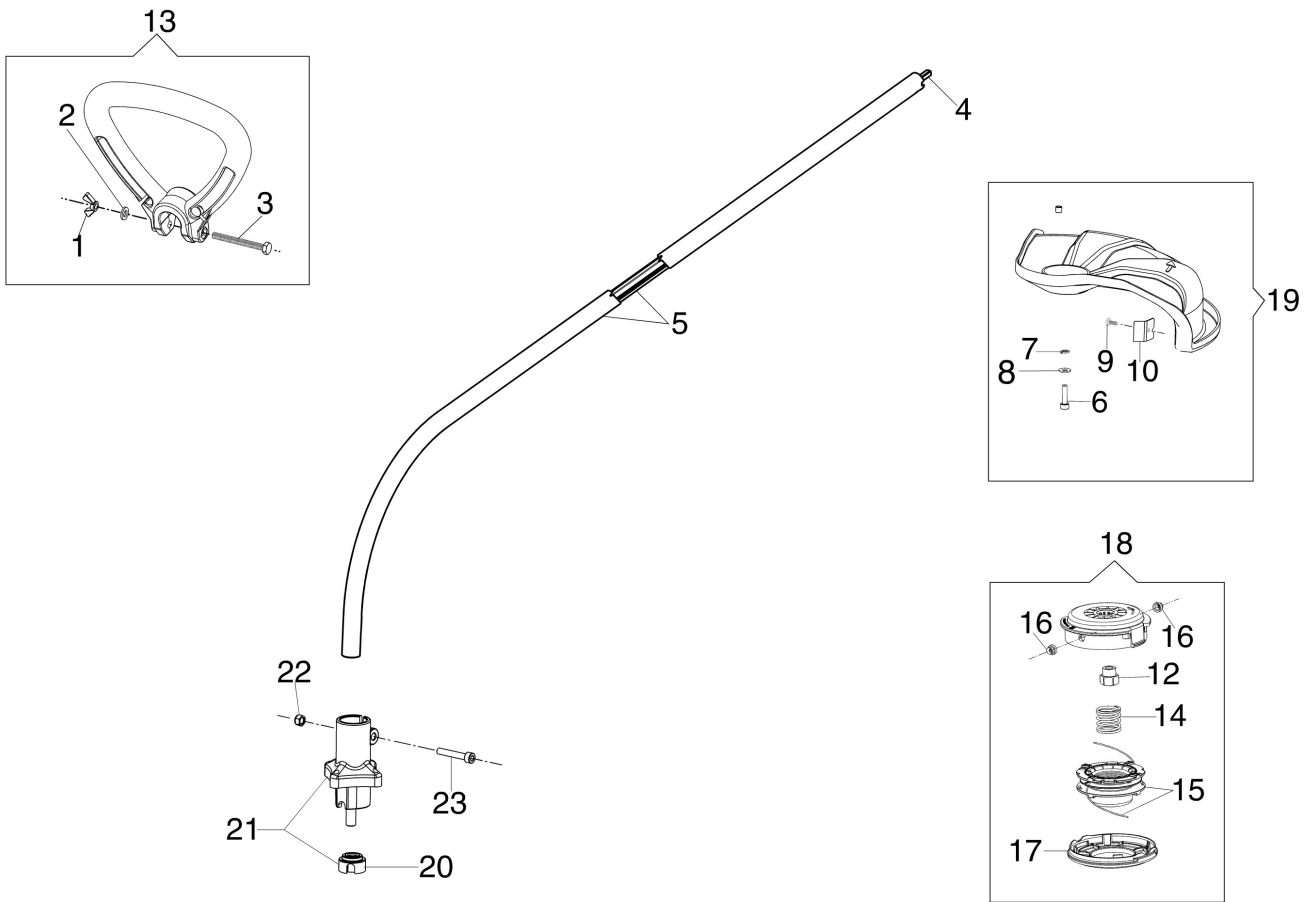
изображение Motor (SN 311xxxxxx)

| Ref.Nu | Qty | Part number | Description | Validity from | Validity till | Notes | Bulletin |
|--------|-----|-------------|------------------------------|---------------|---------------|-------|----------|
| 1 | 1 | 60030008R | Joint | | | | |
| 2 | 2 | 60030016R | Brush | | | | |
| 3 | 1 | 60020008 | Fan | | | | |
| 4 | 1 | 60052006AR | Complete handle (with motor) | | | | |
| 5 | 1 | 2317025 | Switch | | | | |
| 6 | 1 | 60020121A | Cables set | | | | |
| 7 | 1 | 60052006AR | Complete handle (with motor) | | | | |
| 8 | 1 | 60020014 | Throttle lever | | | | |



изображение Motor (From SN 316xxxxxxx)

| Ref.Nu | Qty | Part number | Description | Validity from | Validity till | Notes | Bulletin |
|--------|-----|-------------|------------------------------|---------------|---------------|-------|----------|
| 1 | 1 | 60030029R | Joint | | | | |
| 2 | 2 | 60020125R | Brush | | | | |
| 3 | 1 | 60020049R | Fan | | | | |
| 4 | 1 | 60030036AR | Electric motor | | | | |
| 5 | 1 | 2317025 | Switch | | | | |
| 6 | 1 | 60020121A | Cables set | | | | |
| 7 | 1 | 60030077A | Motor housing | | | | |
| 8 | 1 | 60020050R | Throttle lever | | | | |
| 9 | 1 | 60052006AR | Complete handle (with motor) | | | | |



изображение Transmission

| Ref.Nu | Qty | Part number | Description | Validity from | Validity till | Notes | Bulletin |
|--------|-----|-------------|--|---------------|---------------|-------|----------|
| 1 | 1 | 3915006 | Nut | | | | |
| 2 | 1 | 3916006R | Washer | | | | |
| 3 | 1 | 3906053 | Screw | | | | |
| 4 | 1 | 4198015A | Drive shaft | | | | |
| 5 | 1 | 4198041A | Tube Ø22 | | | | |
| 6 | 4 | 3801013R | Screw | | | | |
| 7 | 4 | 3819006R | Washer | | | | |
| 8 | 4 | 3918010R | Washer | | | | |
| 9 | 1 | 3960015 | Screw | | | | |
| 10 | 1 | 4174275R | Blade | | | | |
| 12 | 1 | 4199011AR | Insert | | | | |
| 13 | 1 | 4162042A | Handle | | | | |
| 14 | 1 | 63080008 | Spring | | | | |
| 15 | 1 | 63080012R | Nylon spool | | | | |
| 16 | 2 | 4199005AR | Bushing | | | | |
| 17 | 1 | 63080006R | Cover | | | | |
| 18 | 1 | 4199040CR | Tap'n go head with 2 nylon lines Ø2 | | | | |
| 19 | 1 | 4198114CR | Disc guard | | | | |
| 20 | 1 | 4198167R | Flange | | | | |
| 21 | 1 | 4198168R | Hub | | | | |
| 22 | 1 | 3914003R | Nut | | | | |
| 23 | 1 | 3801016R | Screw | | | | |