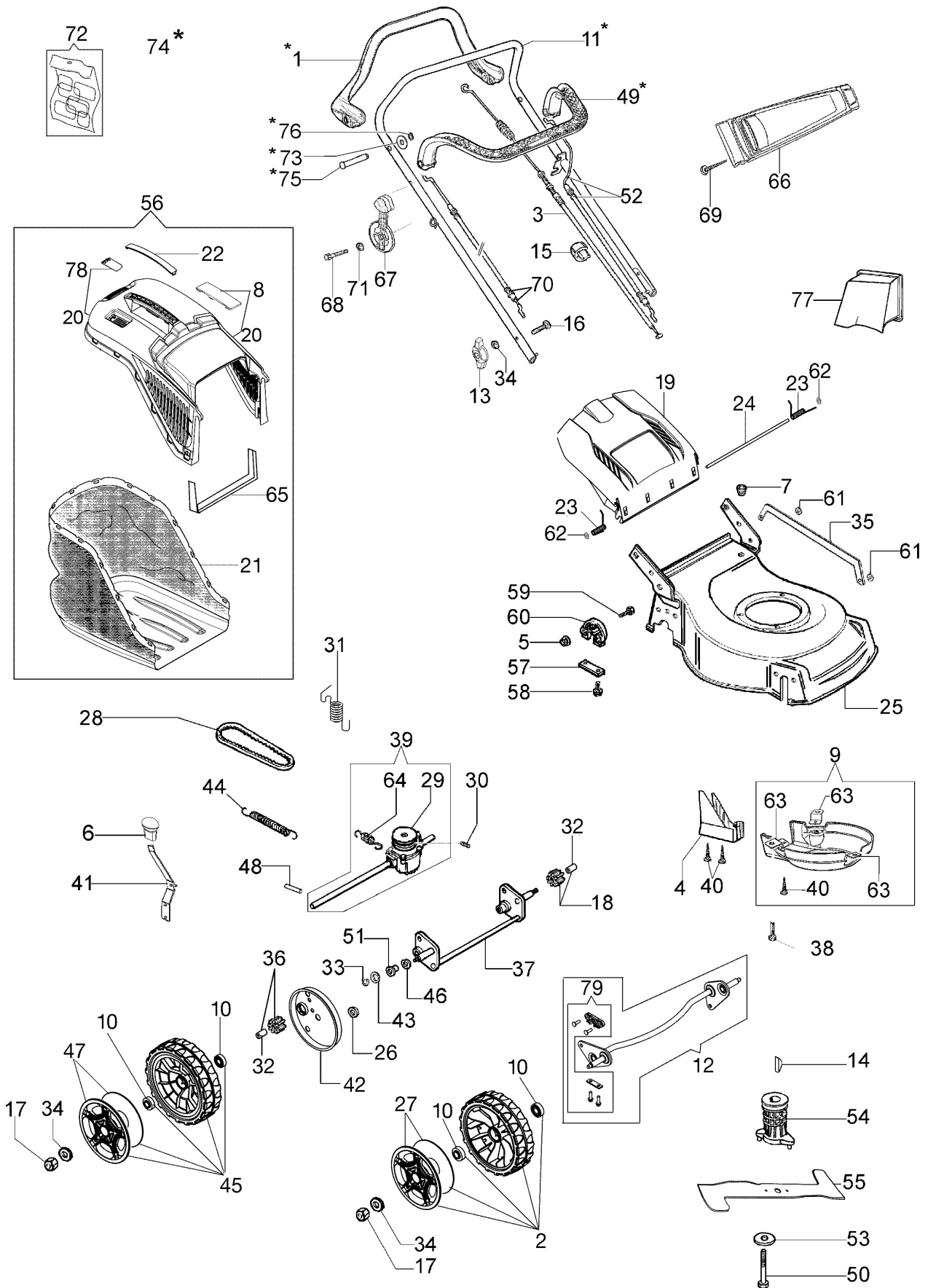


LR 48 TBX COMFORT PLUS Lawnmower



Документы

[Illustrated parts list](#)



изображение Illustrated parts list

Ref.Nu	Qty	Part number	Description	Validity from	Validity till	Notes	Bulletin
1	1	66060398BR	Traction lever				
2	2	66070732	Wheel kit				
3	1	66060058CR	Traction cable				BT5-077-06/14
3	1	66070653R	Traction cable				BT5-077-06/14
4	1	66110013R	Guard				
5	1	3914006R	Nut				
6	1	66110371R	Knob				
7	1	66030038	Grommet				
8	2	66070466R	Lock				
9	1	66070233A	Guard kit				
10	8	66030081R	Bearing				
11	1	66060421BR	Handlebar				
12	1	66070748	Axle kit	SN 6275020572			BT5-080-03/15
13	1	66070317R	Tightening handle				
14	1	8202126R	Key				
15	2	66060231R	Band				
16	2	3910015R	Screw				
17	4	3933032R	Nut				
18	1	66070437R	Left sprocket	SN 6275173850			BT5-082-04/15
19	1	66110753R	Shutter	01/2017		Rosso; Red	
19	1	66110753R	Shutter		12/2016	Nero; Black	
20	1	66072047R	Frame				
21	1	66070455R	Grassbag				
22	1	66070522R	Cover				
23	1	66110609A	Kit spring				
24	1	66110026R	Deflector axle				
25	1	66110821A	Deck	01/2017		Grigio; Grey	
25	1	66110821A	Deck		12/2016	Rosso; Red	
26	2	3916015R	Washer				
27	2	66070728R	Wheel cover	04/15			
27	2	66070572R	Wheel cover		03/15		
28	1	66030037R	Belt				
29	1	66071084R	Pulley				
30	1	3022020R	Plug				
31	1	66070035BR	Spring				BT5-077-06/14
31	1	66070652R	Spring				BT5-077-06/14
32	2	66070435R	Bushing	SN 6275173850			BT5-082-04/15
33	1	3024012R	Snap ring				
34	7	3916008R	Washer				
35	1	66110012	Rod				
36	1	66070436R	Right sprocket	SN 6275173850			BT5-082-04/15
37	1	66070013C	Rear axle				
38	3	3806076R	Screw				
39	1	66070755B	Transmission				BT5-077-06/14

изображение Illustrated parts list

Ref.Nu	Qty	Part number	Description	Validity from	Validity till	Notes	Bulletin
40	2	011200035R	Screw				
41	1	66070018R	Lever				
42	2	66070060R	Wheel cover				
43	1	66030044	Spacer				
44	1	66070036R	Spring				
45	2	66070731	Wheel kit				
46	2	8202311R	Ring				
47	2	66070727R	Wheel cover	04/15			
47	2	66070573R	Wheel cover		03/15		
48	1	66060010R	Roller				
49	1	66060316AR	Brake lever				
50	1	3906150R	Screw				
51	2	66060030R	Bushing				
52	1	66060108R	Engine break cable			B&S 625E;	
52	1	66030276R	Engine break cable			B&S 625;	
53	1	66060384R	Washer			Lunghezza/Lenght: 1382 mm	
54	1	66030256R	Hub Ø22,2mm				
55	1	66110594R	Mulching blade				BT5-064-06/10
56	1	66070905	Grassbag kit				
57	2	66030039	Plate				
58	4	3960031R	Screw				
59	6	3801022R	Screw				
60	2	66030049AR	Support				
61	2	3045035R	Retainer washer				
62	2	3045034R	Retainer washer				
63	3	66070228AR	Support				
64	1	66071065R	Spring				
65	1	66070133R	Support				
66	1	66070128R	Dashboard			sostituito da particolare intercambiabile ma di geometria differente /	
67	1	66070341AR	Throttle lever				
68	1	3910019	Screw				
69	2	3960072	Screw			interchangeable part but with a different geometry	
70	1	66070136R	Throttle cable			B&S 625;	
70	1	66070171R	Throttle cable			Lunghezza/Lenght: 1161,5 B&S 625E; mm	
71	2	3918009R	Washer				
72	1	66070629A	Labels kit				
73	2	3064037R	Washer				
74	1	66060425R	Handle kit				
75	2	66060381BR	Pin				
76	2	3024006R	Snap ring				
77	1	66110828R	Mulching cap				
78	1	66070521R	Shutter				
79	1	66070744	Support set	SN 6275020572			BT5-080-03/15