

SCA 38 R Scarifier

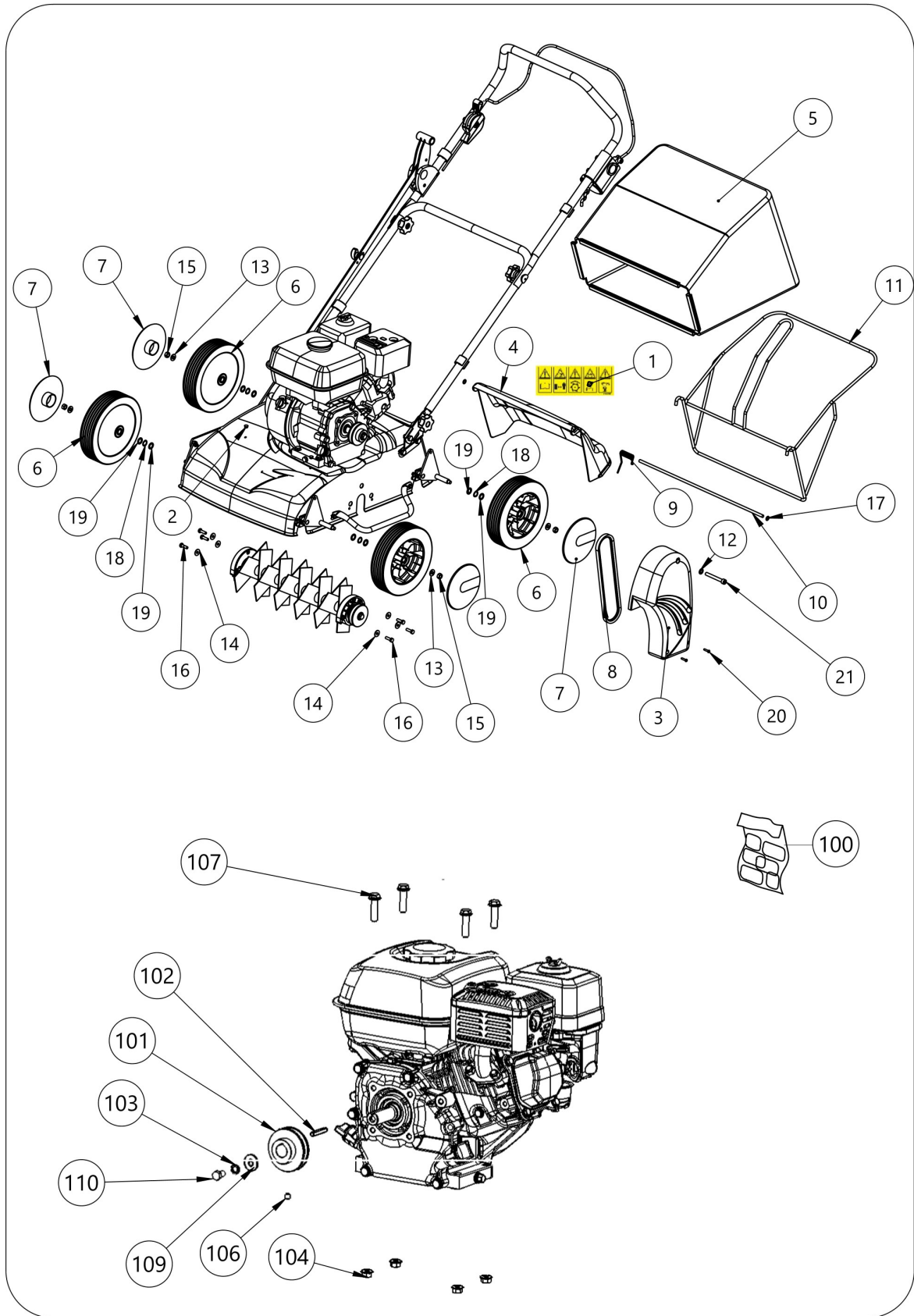


Документы

Frame

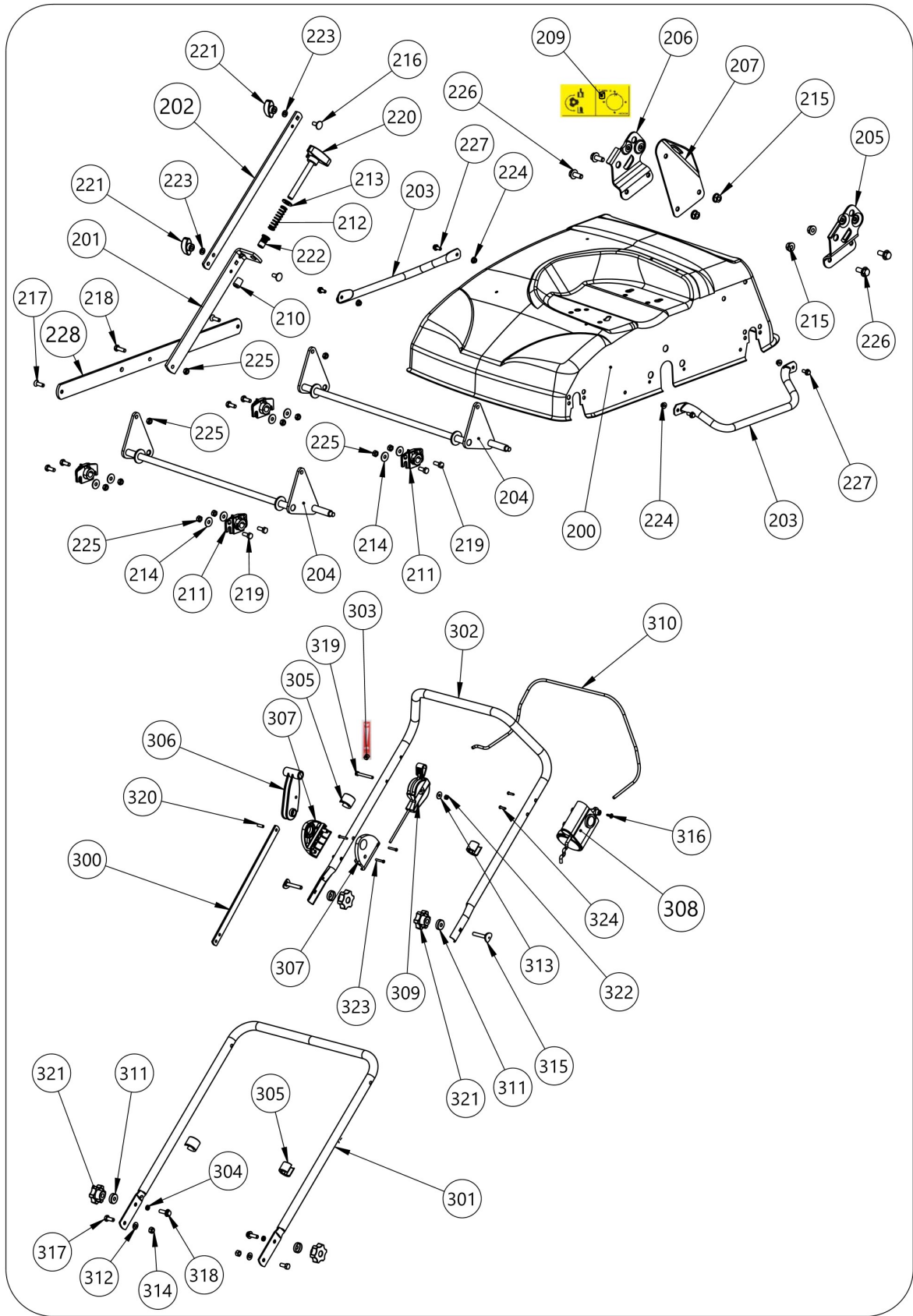
Handlebar

Rotor



изображение Frame

Ref.Nu	Qty	Part number	Description	Validity from	Validity till	Notes	Bulletin
1	1	KVK503000071	Label				
2	3	KVK341000030	Cap				
3	1	KVK340000086	Belt cover				
4	1	KVK340000084	Door (guard)				
5	1	KVK320070006	Grasscatcher				
6	4	KVK309000045	Wheel				
7	4	KVK309000016	Wheel cover				
8	1	KVK306030047	Belt				
9	1	KVK305010024	Spring				
10	1	KVK305000056	Rod				
11	1	KVK305000055	Frame				
12	1	KVK300440801	Washer				
13	4	KVK300400802	Washer				
14	6	KVK300400601	Washer				
15	4	KVK300200801	Nut				
16	6	KVK300010613	Screw				
17	2	KV0300460701	Washer				
18	4	KV0300421202	Washer				
19	8	KV0300411302	Thickness				
20	2	KV0300070301	Screw				
21	1	N6291900R	Screw				
100	1	68210013	Labels kit				
101	1	KVK302030106	Pulley				
102	1	KV0301040051R	Key				
103	1	KVK300440801	Washer				
104	4	KVK300260801	Nut				
106	1	KVK300040601	Screw				
107	4	KVK300010831	Screw				
109	1	KV0300400803	Washer				
110	1	KV0300060513	Screw				

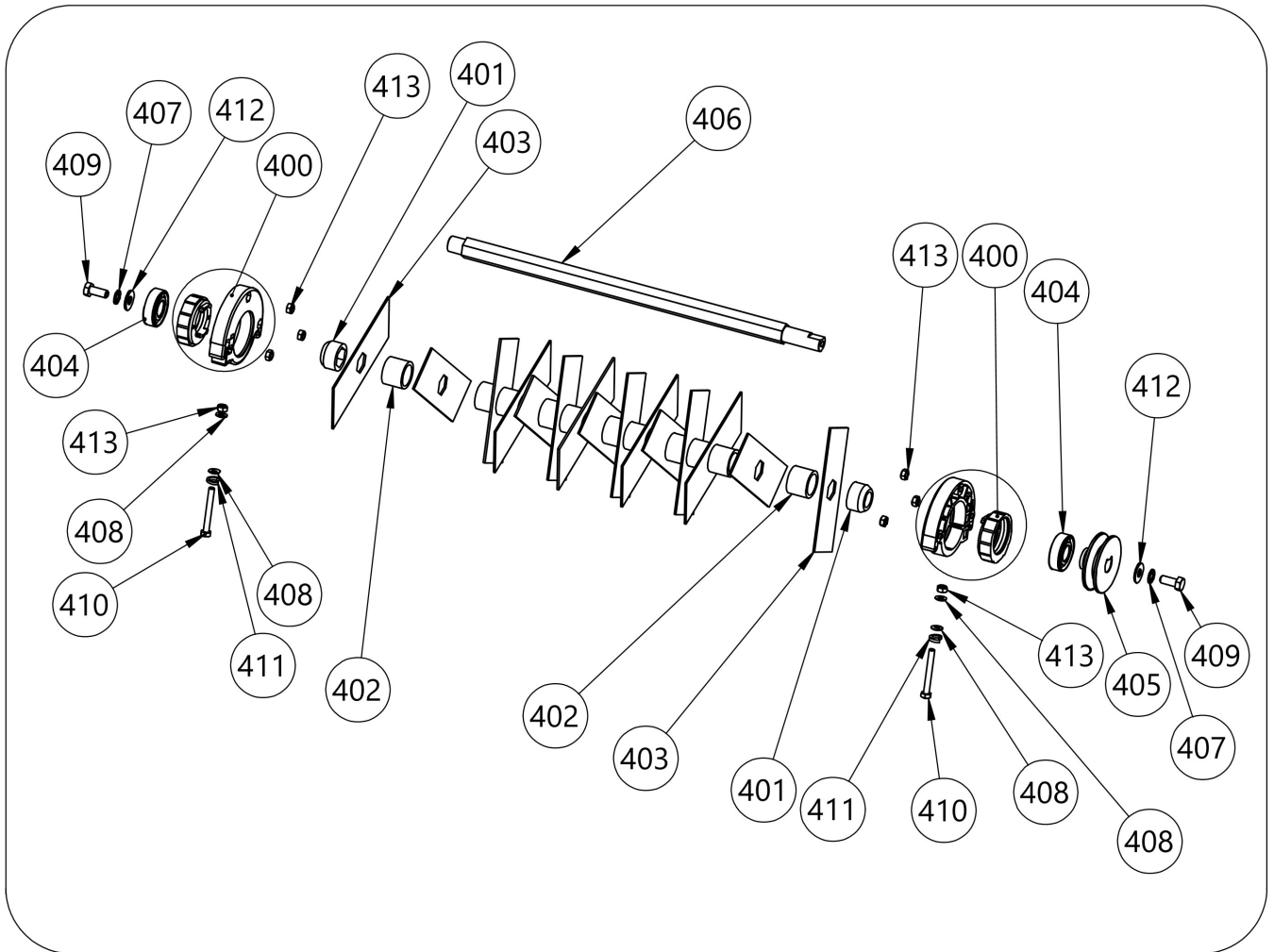


изображение Handlebar

Ref.Nu	Qty	Part number	Description	Validity from	Validity till	Notes	Bulletin
200	1	KVKI02062601R	Cover				
201	1	KVKI02061613	Axle				
202	1	KVKI02061612	Axle				
203	2	KVKI02061610	Guard				
204	2	KVKI02061607	Axle				
205	1	KVKI02061603	Support				
206	1	KVKI02061602	Support				
207	1	KVKI02061601	Regulating lever				
209	1	KVK503000069	Label				
210	1	KVK341000006	Cover				
211	4	KVK340000081	Bearing				
212	1	KVK305020012	Spring				
213	1	KVK300401004	Washer				
214	8	KVK300400601	Washer				
215	4	KVK300260801	Nut				
216	2	KVK300080601	Screw				
217	2	KVK300030604	Screw				
218	1	KVK300010613	Screw				
219	8	KVK300010605	Screw				
220	1	KV0300801002	Lever				
221	2	KV0300800601	Knob				
222	1	KV0300601002	Insert				
223	2	KV0300440601	Washer				
224	4	KV0300260501	Nut				
225	11	KV0300210602	Nut				
226	4	KV0300010816	Screw				
227	4	KV0300010505	Screw				
228	1	KVKI02061606	Connecting rod				
300	1	KVKI02061611	Rod				
301	1	KVKI02061609	Lower handle				
302	1	KVKI02061608	Upper handle				
303	1	KVK503000037R	Label				
304	2	KVK341000033R	Spacer				
305	4	KVK340000092	Band				
306	1	KVK340000083	Lever				
307	2	KVK340000082	Lever support				
308	1	KVK308060026R	Lever				
309	1	KVK308040029	Fuel control				
310	1	KVK305000057	Lever				
311	4	KVK300410802	Ring				
312	2	KVK300400802	Washer				
313	1	KVK300400601	Washer				
314	2	KVK300210801	Nut				
315	2	KVK300090803	Screw				

изображение Handlebar

Ref.Nu	Qty	Part number	Description	Validity from	Validity till	Notes	Bulletin
316	1	KVK300080401	Screw				
317	2	KVK300010815	Screw				
318	2	KVK300010801	Screw				
319	1	KVK300010608	Screw				
320	1	KV0301090008	Cotter pin				
321	4	KV0300800803	Knob				
322	1	KV0300210602	Nut				
323	4	KV0300090407	Screw				
324	2	KV0300070301	Screw				



изображение Rotor

Ref.Nu	Qty	Part number	Description	Validity from	Validity till	Notes	Bulletin
400	2	KVKZ01080001	Bushing with flange				
401	2	KVK340000078	Spacer				
402	14	KVK340000077	Spacer				
403	15	KVKZ01080004	Knife				
404	2	KVK306010019	Bearing				
405	1	KVK302030107	Pulley				
406	1	KVK302010095	Axle				
407	2	KVK300440801	Washer				
408	4	KVK300400603	Washer				
409	2	KVK300010815	Screw				
410	2	KVK300010608	Screw				
411	2	KV0300450601	Washer				
412	2	KV0300400803	Washer				
413	8	KV0300210602	Nut				