

TR 1551 Earth auger



Документы

Engine assy

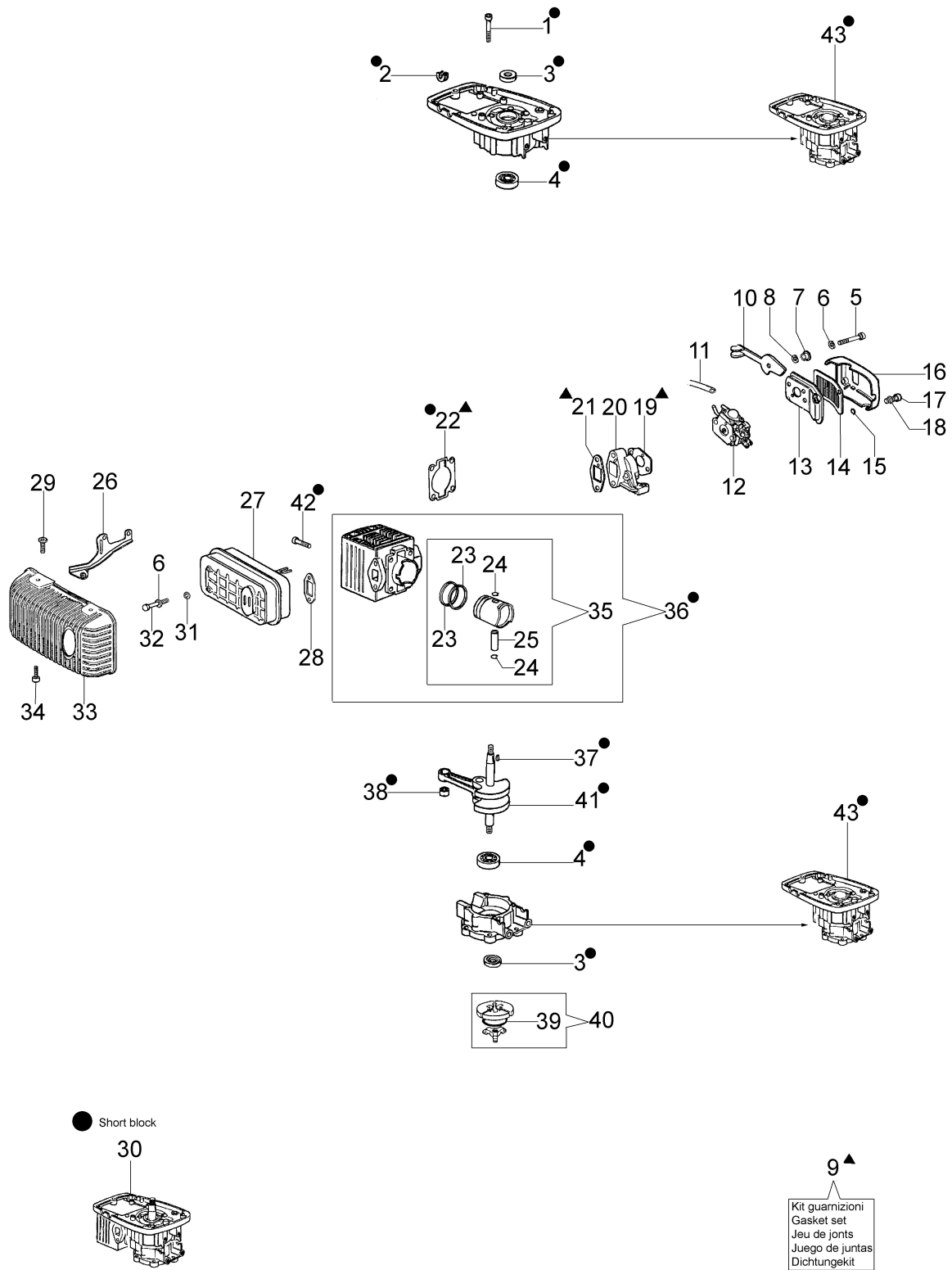
Starter assy and fuel tank

Reduction assy

Drills

Carburettor WT-866A

Carburettor C1Q-E6

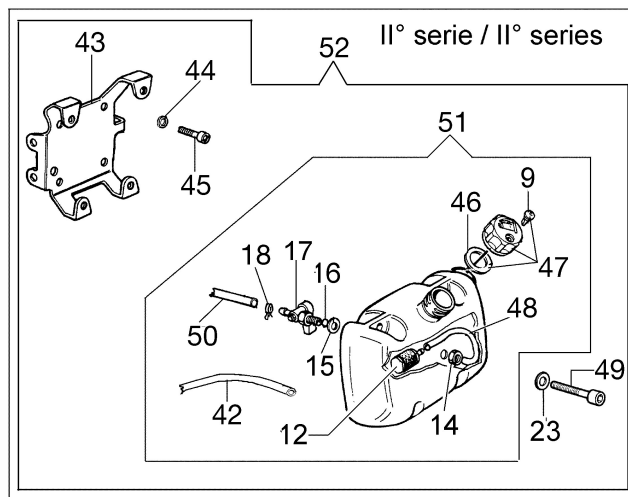
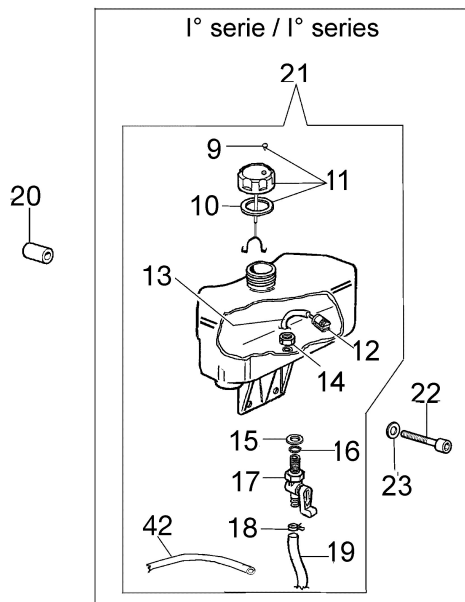
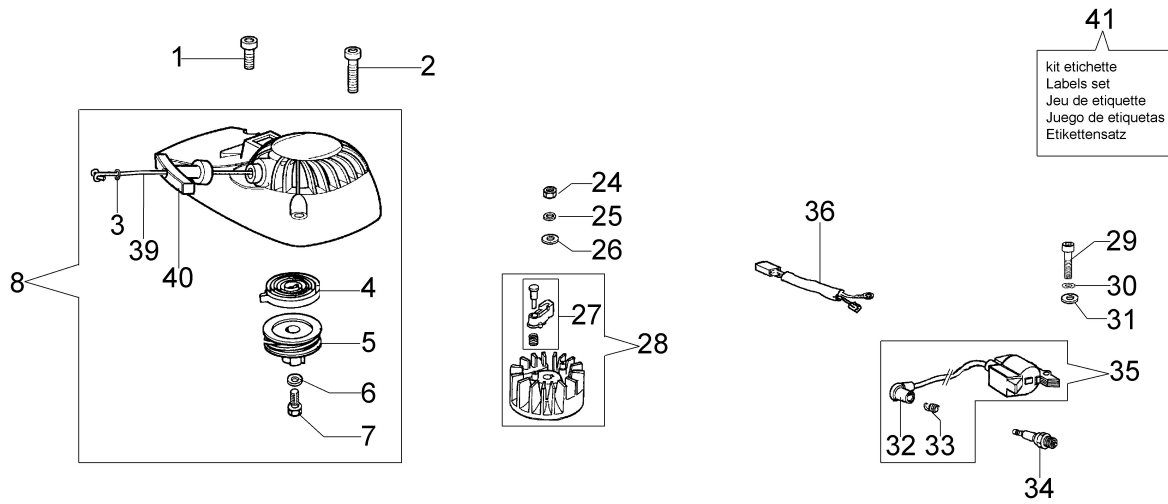


изображение Engine assy

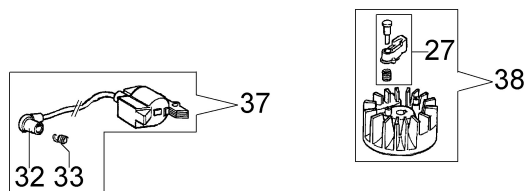
Ref.Nu	Qty	Part number	Description	Validity from	Validity till	Notes	Bulletin
1	4	3801066	Screw				
2	1	005000347AR	Grommet				
3	2	3050015AR	Seal ring				
4	2	3034012R	Bearing				
5	2	3801012R	Screw				
6	5	3833073R	Washer				
7	1	4098019	Washer				
8	1	3833080R	Washer				
9	1	375200087	Gasket set				
10	1	4098010AR	Lever				
11	1	375200089R	Tube				
12	1	2318785AR	Carburetor				
13	1	4098008AR	Support				
14	1	4098025R	Air filter				
15	2	3049005R	O-ring				
16	1	4100371C	Filter cover				
17	2	3908009	Screw				
18	2	3916005R	Washer				
19	1	4174093AR	Gasket				
20	1	375200069	Insulator				
21	1	375200075R	Gasket				
22	1	375200078R	Gasket				
23	2	074000405R	Piston ring				
24	2	004900061R	Ring				
25	1	301000035R	Piston pin				
26	1	301000342AR	Support				
27	1	301000357AR	Muffler				
28	1	300000035R	Gasket				
29	1	3960073R	Screw				
30	1	53032026R	Short block				
31	2	3918005R	Washer				
32	2	005400303R	Screw				
33	1	375200071AR	Muffler cover				
34	1	4175080R	Screw				
35	1	301000375B	Piston assy Ø40				
36	1	301000365B	Complete cylinder Ø40				
37	1	301000047R	Key				
38	1	3037005R	Bearing				
39	1	004900137BR	Spring				
40	1	375100036BR	Clutch				
41	1	375200006AR	Crankshaft		SN 5768080000		BT6-056-03/08
41	1	375200099AR	Crankshaft	SN 5768080001			BT6-056-03/08
42	4	3801025	Screw				
43	1	301000408	Crankcase assy	SN 5768080001			BT6-056-03/08

изображение Engine assy

Ref.Nu	Qty	Part number	Description	Validity from	Validity till	Notes	Bulletin
44	2	3819010R	Washer				



Fino al / Till 09/04/07

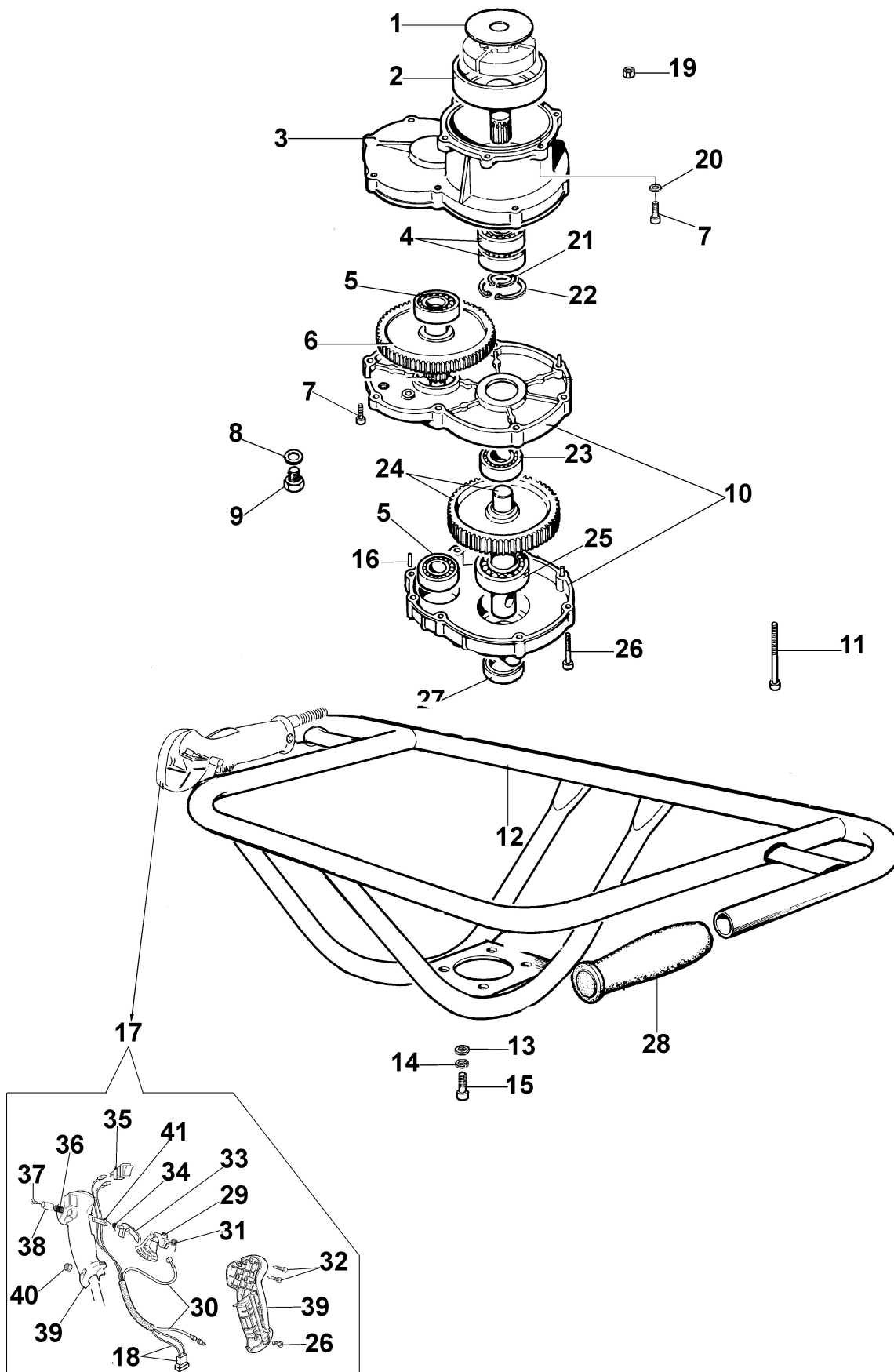


изображение Starter assy and fuel tank

Ref.Nu	Qty	Part number	Description	Validity from	Validity till	Notes	Bulletin
1	2	3960082BR	Screw				
2	2	3960081AR	Screw				
3	1	006000829R	Washer				
4	1	004000132R	Spring				
5	1	300000016R	Pulley				
6	1	3918005R	Washer				
7	1	094600041AR	Screw				
8	1	375200052AR	Starter assy				
9	1	4098658AR	Breather valve				BT6-088-07/13
10	1	074000227AR	Gasket		SN 5763218278		BT6-088-07/13
11	1	074000228AR	Complete cap		SN 5763218278		BT6-088-07/13
12	1	094600450R	Fuel filter				BT6-088-07/13
13	1	094000215AR	Tube		SN 5763218278		BT6-088-07/13
14	1	3912011R	Nut				BT6-088-07/13
15	1	3055098R	Ring				BT6-088-07/13
16	1	3049006R	O-ring				BT6-088-07/13
17	1	3055048R	Tap				BT6-088-07/13
18	1	4098377R	Band				BT6-088-07/13
19	1	3073021AR	Tube		SN 5763218278		BT6-088-07/13
20	4	331000004R	Spacer				
21	1	375200125	Tank assy		SN 5763218278		BT6-088-07/13
22	4	375200004	Screw				BT6-088-07/13
23	4	3916009R	Washer		SN 5763218278		BT6-088-07/13
24	1	320000028R	Nut				
25	1	3819013R	Grower				
26	1	3818011AR	Washer				
27	1	300000071	Pawl kit				
28	1	301000384R	Flywheel				BT6-049-05/07
29	2	094000097	Screw				
30	2	3819005R	Washer				
31	2	3818011AR	Washer				
32	1	094600097AR	Spark plug cap				
33	1	094600169AR	Spring				
34	1	005000019R	Spark plug				
35	1	301000379R	Ignition coil				BT6-049-05/07
36	1	375200048R	Cable				BT6-049-05/07
37	1	301000419	Flywheel and coil kit				
38	1	301000419	Flywheel and coil kit				BT6-049-05/07
39	1	4098073R	Starter rope				
40	1	093500397R	Starter handle				
41	1	375200112	Labels kit				
42	1	375200089R	Tube				BT6-088-07/13
43	1	375200123AR	Support	SN 5763218279			BT6-088-07/13
44	4	3918005R	Washer	SN 5763218279			BT6-088-07/13

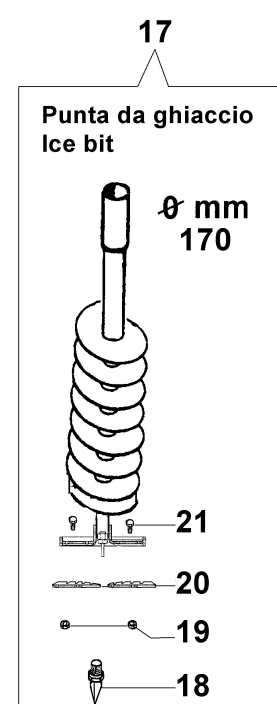
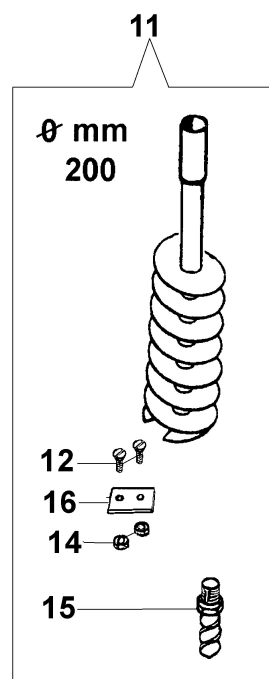
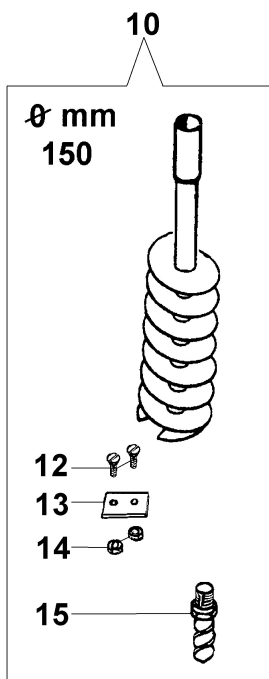
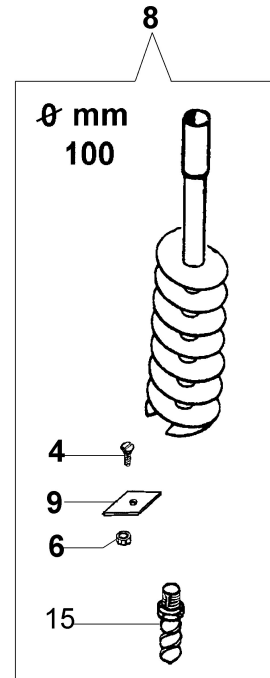
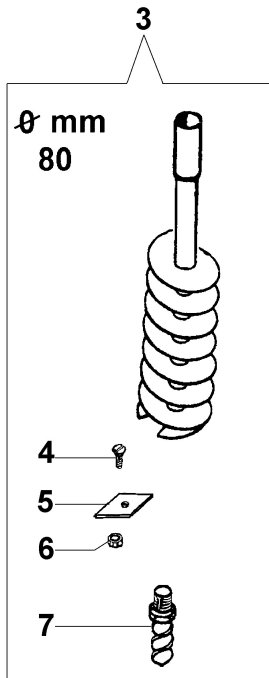
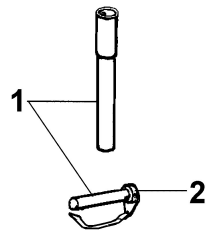
изображение Starter assy and fuel tank

Ref.Nu	Qty	Part number	Description	Validity from	Validity till	Notes	Bulletin
45	4	3801010R	Screw	SN 5763218279			BT6-088-07/13
46	1	4100308AR	Gasket	SN 5763218279			BT6-088-07/13
47	1	4151258R	Complete cap	SN 5763218279			BT6-088-07/13
48	1	3073020AR	Tube	SN 5763218279			BT6-088-07/13
49	4	3906068R	Screw	SN 5763218279			BT6-088-07/13
50	1	3073021AR	Tube	SN 5763218279			BT6-088-07/13
51	1	375200124AR	Complete tank	SN 5763218279			BT6-088-07/13
52	1	375200125	Tank assy	SN 5763218279			BT6-088-07/13



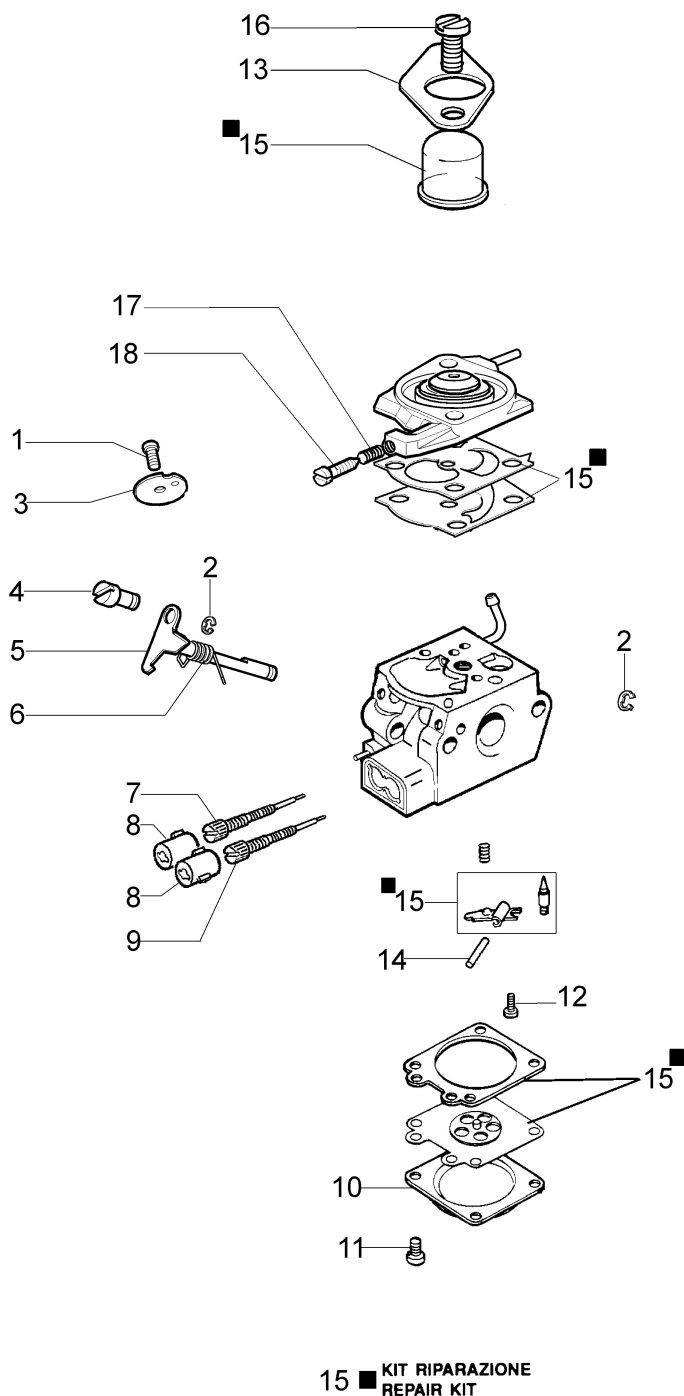
изображение Reduction assy

Ref.Nu	Qty	Part number	Description	Validity from	Validity till	Notes	Bulletin
1	1	375100012AR	Washer				
2	1	375100011AR	Clutch drum				
3	1	4190033R	Gear case				
4	2	3035042R	Bearing				
5	2	094000006R	Bearing				
6	1	375100075AR	Sprocket				
7	4	3801013R	Screw				
8	1	3078012	Washer				
9	1	3906103	Screw				
10	1	4190036R	Cover				
11	4	3801030R	Screw				
12	1	375200152R	Handle				BT6-072-06/10
13	4	3916006R	Washer				
14	4	3819010R	Washer				
15	4	3801021	Screw				
16	4	094600042	Plug				
17	1	4190071R	Handle kit				
18	1	4190015BR	Cable				
19	4	3914003R	Nut				
20	4	3819006R	Washer				
21	1	3024015R	Ring				
22	1	3025022R	Seeger				
23	1	3035015R	Bearing				
24	1	375100076BR	Sprocket				
25	1	302000029R	Bearing				
26	2	3801016R	Screw				
27	1	3050020	Seal ring				
28	1	4095032A	Knob				
29	1	4174245CR	Throttle lever				
30	1	4190016R	Throttle cable				
31	1	4138361R	Spring				
32	2	3960029	Screw				
33	1	4174246AR	Lever				
34	1	4138360R	Spring				
35	1	2317021R	Switch				
36	1	4100098BR	Spring				
37	1	3960021	Screw				
38	1	4138359R	Button				
39	1	61040131R	Handle				
40	1	3914003R	Nut				
41	1	4138358R	Button				



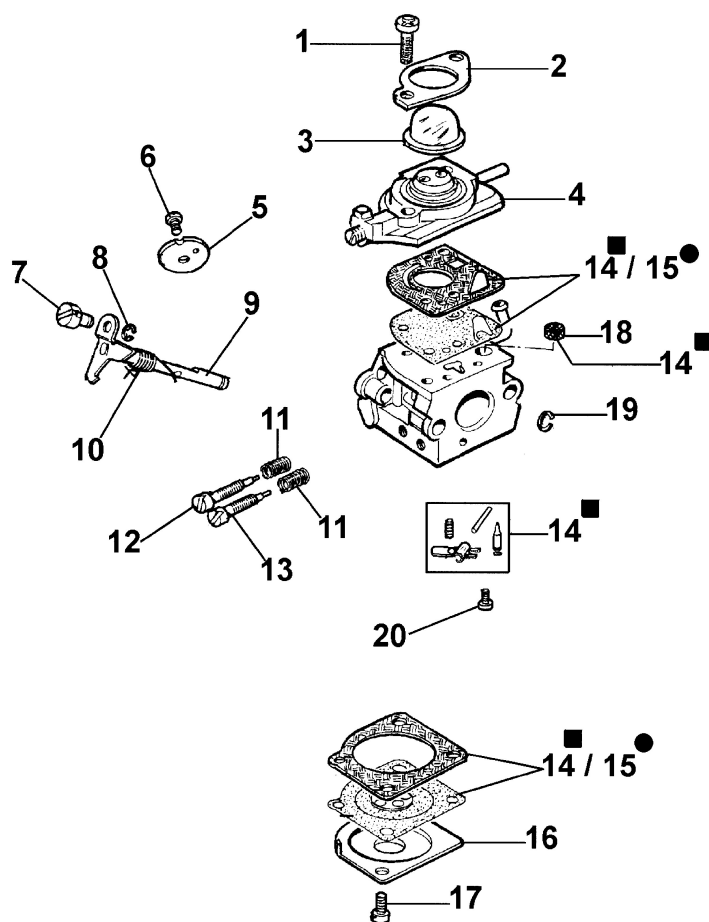
изображение Drills

Ref.Nu	Qty	Part number	Description	Validity from	Validity till	Notes	Bulletin
1	1	375100115	Extension + cotter pin				
2	1	YN5137500	Plug				
3	1	375100028A	Single flute bit Ø8x100 cm				
4	2	3802007R	Screw				
5	1	375100091AR	Blade 8 cm				
6	2	320000028R	Nut				
7	1	375100090A	Cap 8 cm				
8	1	375100029A	Single flute bit Ø10x100 cm				
9	1	375100092AR	Blade cm 10				
10	1	375100030A	Single flute bit Ø15x100 cm				
11	1	375100031A	Single flute bit Ø20x100 cm				
12	2	028000055R	Screw				
13	1	375100093AR	Blade cm 15				
14	2	006000091R	Nut				
15	1	375100088AR	Cap 10÷50 cm				
16	1	375100094AR	Blade cm 20				
17	1	375100110	Ice bit				
18	1	375100112	Ice bit head				
19	2	3914003R	Nut				
20	2	375100113	Ice blade				
21	2	3806022R	Screw				



изображение Carburettor WT-866A

Ref.Nu	Qty	Part number	Description	Validity from	Validity till	Notes	Bulletin
1	1	50010141	Screw				
2	2	095000164	Ring				
3	1	095000141	Shutter				
4	1	2318211	Pin				
5	1	2318786	Shaft				
6	1	2318615	Spring				
7	1	2318893	Screw L				
8	2	2318867R	Caps-lock				
9	1	2318794	Adjust. screw				
10	1	2318191	Cover				
11	4	035000162	Screw				
12	1	003300202	Screw				
13	1	074000147	Cover				
14	1	003300201	Spindle				
15	1	2318671	Repair kit				
16	2	074000239	Screw				
17	1	2318616	Spring				
18	1	074000240	Adjust. screw				



● 15 Kit membrane & guarnizioni
Diaphragm & gasket set

■ 14 Kit riparazione/ Repair kit

изображение Carburettor C1Q-E6

Ref.Nu	Qty	Part number	Description	Validity from	Validity till	Notes	Bulletin
1	2	2318521	Screw				
2	1	2318526	Cover				
3	1	2318525R	Pump				
4	1	2318524	Cover				
5	1	2318389	Shutter				
6	1	2318388	Screw				
7	1	2318412	Hooking spring				
8	1	2318520R	Carburetor C1Q-E3				
9	1	2318529	Shaft				
10	1	2318528	Spring				
11	2	2318532	Spring				
12	1	2318533	Screw L				
13	1	2318534	Screw H				
14	1	2318530	Repair kit				
15	1	2318511	Gasket set				
16	1	2318523	Cover				
17	4	2318522	Screw				
18	1	2318392	Filter				
19	1	2318535	Ring				
20	1	2318520R	Carburetor C1Q-E3				